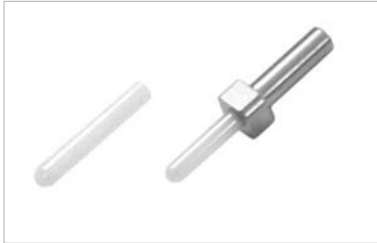


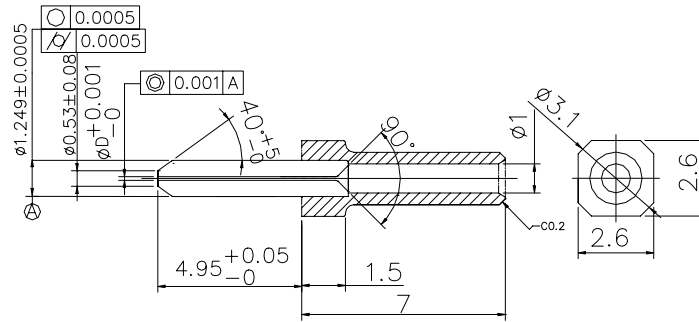


TS-MU/SM-07



Single Mode MU Ferrule

Part No.:	TS - MU/SM-07		
Outside Diameter	$\Phi 1.249 \pm 0.0005$		
Concentricity	≤ 0.001		
Inner Diameter	$\Phi 0.125^{+0.001}_0$	$\Phi 0.1253^{+0.001}_0$	$\Phi 0.126^{+0.001}_0$
Ferrule Length	6.5 ± 0.05		

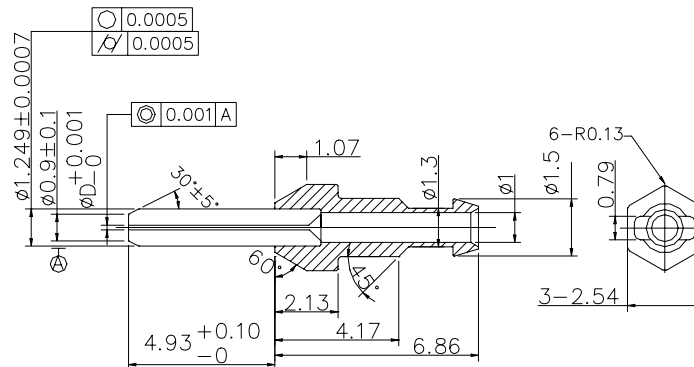


TS-LC/SM-08



Single Mode LC Ferrule

Part No.:	TS - LC/SM-08		
Outside Diameter	$\Phi 1.249 \pm 0.0007$		
Concentricity	≤ 0.001		
Inner Diameter	$\Phi 0.125^{+0.001}_0$	$\Phi 0.1253^{+0.001}_0$	$\Phi 0.126^{+0.001}_0$
Ferrule Length	6.4 ± 0.1		



TS-LC/MM-09



Multi Mode LC Ferrule

Part No.:	TS - LC/MM-09		
Outside Diameter	$\Phi 1.249^{+0.0007}_{-0.0023}$		
Concentricity	≤ 0.004		
Inner Diameter	$\Phi 0.126^{+0.004}_0$	$\Phi 0.127^{+0.004}_0$	
Ferrule Length	6.5 ± 0.10		

