
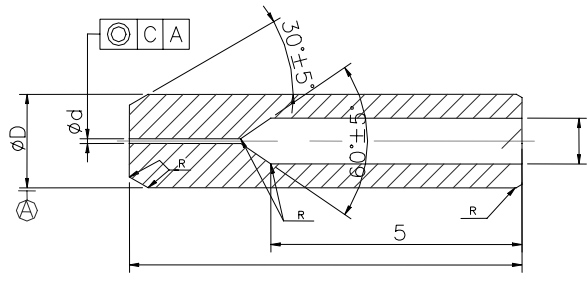




Part No.	TS – PMF 04				
Outside Diameter D	$\Phi 1.80, \Phi 2.00, \Phi 2.50$				
Funnel Diameter D'	$\Phi 1.00$				
Concentricity C	≤ 0.001 (single mode)		≤ 0.004 (multimode)		
Inner Diameter d	$\Phi 0.125^{+0.001}_{-0}$	$\Phi 0.1253^{+0.001}_{-0}$	$\Phi 0.126^{+0.001}_{-0}$	$\Phi 0.126^{+0.004}_{-0}$	$\Phi 0.127^{+0.004}_{-0}$
Ferrule Length L	$10.5 \pm 0.05, 12.7 \pm 0.05$				

TS-PMF04





Part No.	TS – PMF 05				
Outside Diameter D	$\Phi 1.00, \Phi 1.25, \Phi 1.40$				
Funnel Diameter D'	$\Phi 0.6$				
Concentricity C	≤ 0.001 (single mode)		≤ 0.004 (multimode)		
Inner Diameter d	$\Phi 0.125^{+0.001}_{-0}$	$\Phi 0.1253^{+0.001}_{-0}$	$\Phi 0.126^{+0.001}_{-0}$	$\Phi 0.126^{+0.004}_{-0}$	$\Phi 0.127^{+0.004}_{-0}$
Ferrule Length L	$10.5 \pm 0.05, 12.7 \pm 0.05$				

TS-PMF05

